

# 275/PF 600F



## FIXED BOLLARDS WITH BRACKETS TO BE ANCHORED IN GROUND

The fixed 275/PF 600F PILOMAT have been designed and built with architectural appearance similar to that of the retractable PILOMAT bollards and therefore also allows the combined use of both versions. Current models are the result of our 40 years' experience in the security field and in excess of 20 years in the specific design and manufacture of bollards.

### GENERAL FEATURES

The fixed PILOMAT are used in public or private areas in order to define or prevent the parking of vehicles, for preventing access to vehicles in pedestrian areas. These items can be cemented to the ground (in this case, the breakout resistance depends on the depth to which it is anchored into the ground) or be secured in place by chemical anchors in places where you cannot make the same anchor, or where masonry is already completed.



PAG.1/2

**PILOMAT**

100% MADE IN ITALY



PILOMAT s.r.l.  
www.pilomat.com / pilomat@pilomat.com  
Via Zanica 17/p, 24050, Grassobbio (BG) Italy  
Tel. +39.035.29.72.20  
Copyright 2016© Pilomat S.r.l. All rights reserved

275/PF 600F\_DATASHEET.16 REVIEW 16/11/2016

# 275/PF 600F



## AVAILABLE ITEMS

- PILOMAT BOLLARD 275/PF 600FFEV - NORMAL STEEL PAINTED

---

- PILOMAT BOLLARD 275/PF 600FIXV - STAINLESS STEEL PAINTED

---

- PILOMAT BOLLARD 275/PF 600FIXS - STAINLESS STEEL BRUSHED

---

- RIBS ON FIXED CYLINDER

---

- HEAD WITHOUT LOGO FOR PILOMAT 275/PF 600F

---

- MULTILED FLASHING LIGHT - 8 LED POINTS

---

- MULTILED FLASHING LIGHT- 25 LED POINTS

---

- FLASHING LIGHT POWER CIRCUIT FOR FIXED BOLLARDS (MAX. 4 BOLLARDS)

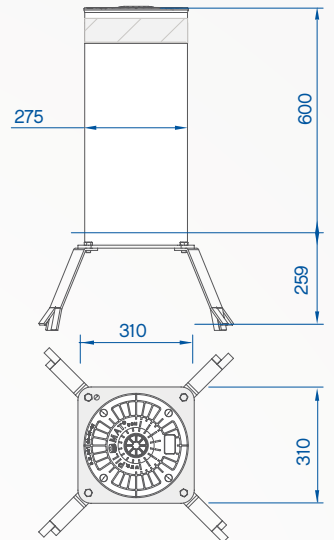
---

- REFLECTING ADHESIVE STRIP - WHITE (NO-LOGO)

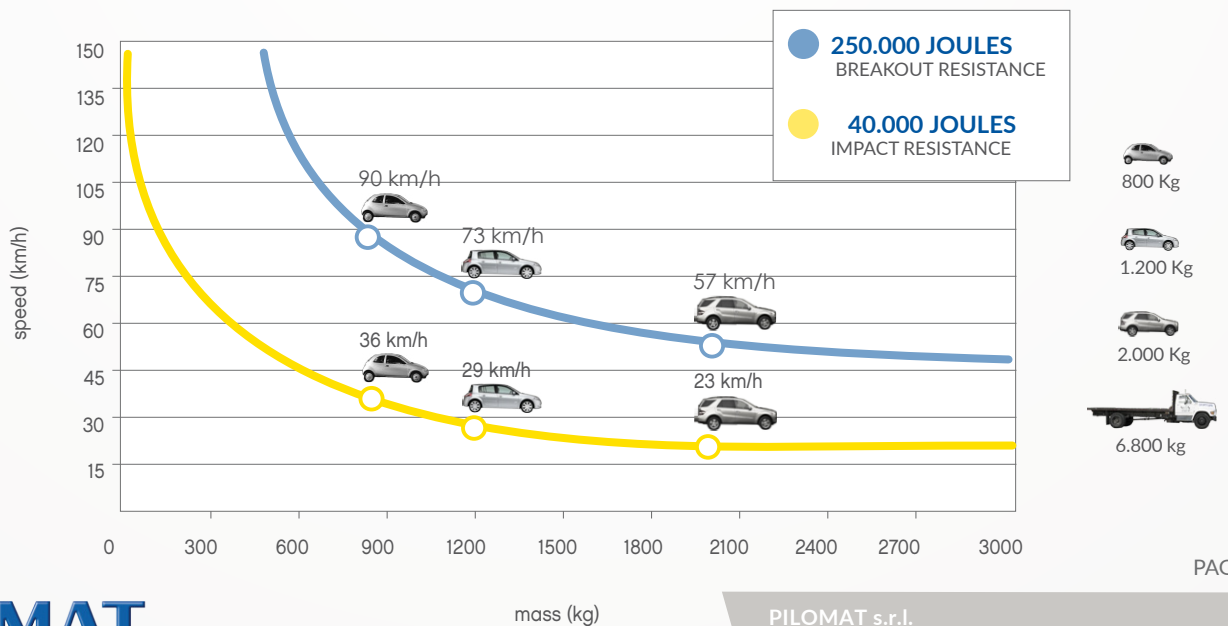
---

- PAINTING WITH RAL COLOUR ON REQUEST

---

|  |  |
|--|--|
| FIXED CYLINDER                                 | NORMAL STEEL FE370 - AISI 304 STAINLESS STEEL - AISI 316 STAINLESS STEEL |
| <b>FIXED CYLINDER DIAMETER</b>                 | 275mm  |
| FIXED CYLINDER HEIGHT                          | 600mm  |
| <b>FIXED CYLINDER NORMAL STEEL THICKNESS</b>   | 6mm  |
| FIXED CYLINDER STAINLESS STEEL THICKNESS       | AISI 304: 6mm - AISI 316: 4mm  |
| <b>FIXED CYLINDER NORMAL STEEL FINISH</b>      | ANTI-CORROSION TREATMENT - STANDARD PAINTING GREY ANTHRACITE             |
| FIXED CYLINDER STAINLESS STEEL FINISH          | AS ABOVE OR BRUSHED - AISI 316 STAINLESS STEEL BRUSHED COVERING          |
| <b>REFLECTING ADHESIVE STRIP</b>               | YES - HEIGHT 55mm  |
| PROTECTION CLASS                               | IP67   |
| <b>IMPACT RESISTANCE (WITHOUT DEFORMATION)</b> | 40.000 J   |
| BREAKOUT RESISTANCE                            | 250.000 J  |
| <b>BRACKETS INCLUDED</b>                       | YES - 4 BRACKETS   |
| CONNECTION LINE FOR FLASHING LIGHT             | STANDARD 10m (MAX. LENGTH 80m)   |



100% MADE IN ITALY

mass (kg)

PILOMAT s.r.l.  
 www.pilomat.com / pilomat@pilomat.com  
 Via Zanica 17/p, 24050, Grassobbio (BG) Italy  
 Tel. +39.035.29.72.20  
 Copyright 2016© Pilomat S.r.l. All rights reserved